

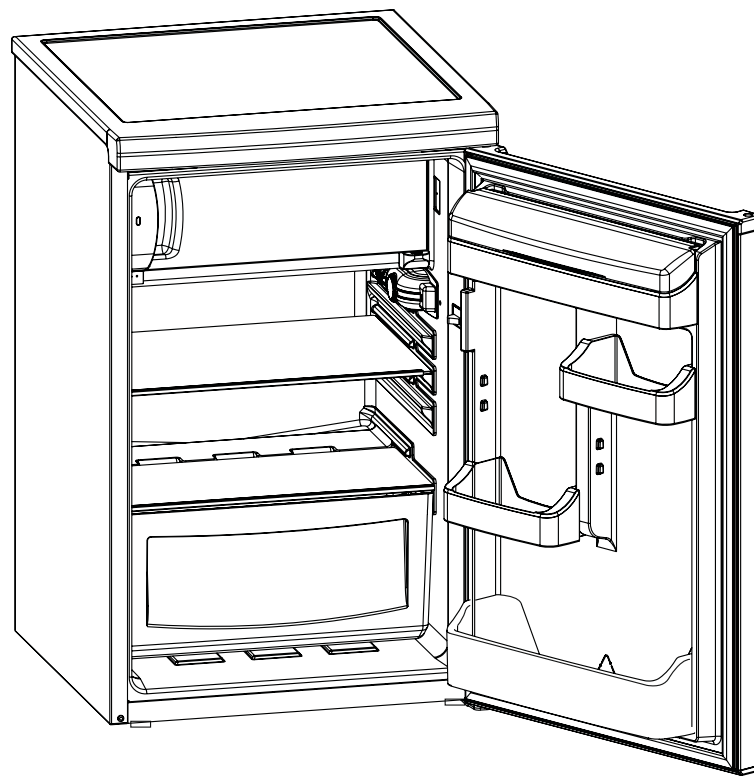
NORDMENDE™

TABLE-TOP REFRIGERATOR AND LARDER

Instruction booklet

TISCHKÜHLSCHRANK

Bedienungsanleitung



RUI141WHA+

Index

BEFORE USING THE APPLIANCE	2
Safety Instructions	2
Recommendations	3
Installation and Switching On The Appliance	4
Before Switching On	4
THE VARIOUS FUNCTION AND POSSIBILITIES	5
Thermostat Setting	5
Accessories	6
“Door Open” Indicator;	6
Making Ice cubes;	6
CLEANING AND MAINTENANCE	7
Defrosting	7
Replacing The Light Bulb	8
TRANSPORTATION AND CHANGING OF INSTALLATION POSITION	9
Changing of Door Opening Direction	9
BEFORE CALLING YOUR AFTER SALES SERVICE	9
THE PARTS OF THE APPLIANCE AND THE COMPARTMENTS	11
ELECTRICAL CONNECTION (UK ONLY)	12

PART- 1. BEFORE USING THE APPLIANCE

Safety Instructions

- If the model contains R600a-see name plate inside refrigerator (the coolant isobutene), natural gas that, is very environmentally friendly but also combustible. When transporting and installing the unit care must be taken to ensure that none of the refrigeration circuit components become damaged. In the event of damage avoid naked flames or ignition sources and ventilate the room in which the unit is placed for a few minutes.
- Do not use mechanical devices or other artificial means to accelerate the defrosting process.
- Do not use electrical appliances in the food storage of the appliance.
- If this appliance is to replace an old refrigerator with a lock; break or remove the lock as a safety measure before storing it, to protect children while playing might lock themselves inside.
- Old refrigerators and freezers contain insulation gases and refrigerant, which must be disposed of properly. Entrust the disposal of a scrap unit categorically to the competence of your local waste disposal service and contact your local authority or your dealer if you have any questions. Please ensure that the pipe of work of your refrigerating unit does not get damaged prior to being picked-up by the relevant waste disposal service.

IMPORTANT NOTE:

Please read this booklet before installing and switching on this appliance. The manufacturer assumes no responsibility for incorrect installation and usage as described in this booklet.

Conformity Information

- Tropical Class is defined for the environment temperatures between 16°C and 43°C in accordance with the TS EN ISO 15502 Standards.
- The appliance is designed in compliance with the EN15502, IEC60335-1 / IEC60335-2-24, 2004/108/EC standards.

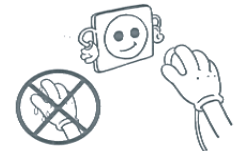
Recommendations

Warning: Do not use mechanical devices or other means to accelerate the defrosting process, other than those recommended by the manufacturer. Do not use electrical appliances inside the food storage compartments of the appliance, unless they are of the type recommended by the manufacturer. Keep ventilation openings, in the appliance enclosure or in the built-in structure, clear of obstruction. Do not damage the refrigerant circuit.

- Do not use adapters or shunts, which could cause overheating or burning.
- Do not plug old, warped power supply cables.
- Do not twist and bend the cables.

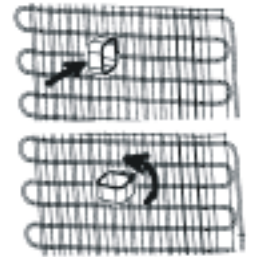


- Do not allow children to play with the appliance. Children must NEVER sit on drawers or hang from the door.
- Do not use sharp metal objects for removing ice on the freezer compartment; they could puncture the refrigerator circuit and cause unrepairable damage to the unit.
- Do not plug the power supply with wet hands.
- Do not place containers (glass bottles or tin containers) of liquids into the freezer especially gassy liquids as they could cause the container to burst during freezing.
- Bottles that contain a high percentage of alcohol must be sealed well and placed vertically in the refrigerator.
- Do not touch the cooling surfaces, especially with wet hands as you could be burnt or hurt.
- Do not eat ice, which have just been removed from the freezer.
- The appliance is not intended for use by people (including children) with reduced physical, sensory or mental capabilities, or lack of experience and knowledge, unless they have been given supervision or instruction concerning use of the appliance by a person responsible for their safety. Children should be supervised to ensure that they don't play with the appliance.
- If the supply cord is damaged it must be replaced by the manufacturer or service agent or similarly qualified people in order to avoid a hazard.



Installation and Switching On The Appliance

- This appliance is connecting to 220-240V or 200-230V and 50 Hz. Please check nameplate of appliance and be sure voltage range suitable to your mains voltage.
- You can offer help from the service to install and switching on the appliance.
- Before making the connection to the power supply, ensure that the voltage on the nameplate corresponds to the voltage of electrical system in your home.
- Insert the plug into a socket with an efficient ground connection. If the socket has no ground contact or the plug does not match, we suggest you to call an authorised electrician for assistance.
- The plug should be accessible after the appliance is positioned.
- Manufacturer is not responsible for failure to complete the ground connection as described in this booklet.
- Do not place the appliance in direct sunlight.
- Do not use in open air and shall not be exposed to the rain.
- Place the refrigerator far from heat sources and in a well-ventilated position. The refrigerator should be at least 50 cm from radiators, gas or coal stoves and 5 cm far from electrical stoves.
- Keep the top free for at least 15 cm.
- Do not place heavy and lots of things on the appliance.
- If the appliance is installed next to another refrigerator or freezer, observe a minimum distance of 2 cm to prevent condensation.
- Do not put very (!) hot food or bowl on the top table. It can damage the toptable.
- Fit the plastic wall spacers to the condenser at the back of the refrigerator in order to prevent leaning to the wall for good performance.
- The appliance must be stand firmly and level on the floor Use levelling-feet to compensate for an even floor.
- The outside of the appliance and the accessories inside should be cleaned with a solution of water and liquid soap; the inside of the appliance with sodium bicarbonate dissolved in lukewarm water. After drying replace all the accessories.



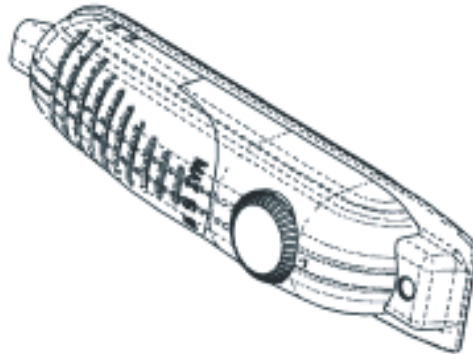
Before Switching On

- Wait after 3 hours before plugging the appliance in to the power to ensure proper performance.
- There can be an odour when you first switch on the appliance. It will disappear after the appliance starts to cool.



PART- 2. THE VARIOUS FUNCTION AND POSSIBILITIES

Thermostat Setting



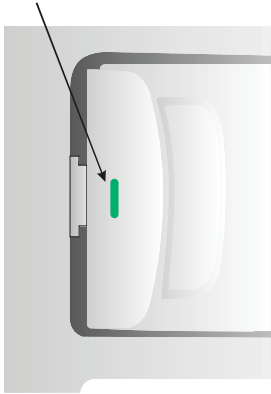
- Thermostat automatically regulates the inside temperature of the refrigerator compartment and freezer compartment. By rotating the knob from position 1. to 5., colder temperatures can be obtained.
- « 0 » position shows thermostat is closed and no cooling is available.
- For short-term storage of food in the freezer compartment, you can set the knob between minimum and medium position.(1-3)
- For long-term storage of food in the freezer compartment, you can set knob medium position.(3-4)

Note that; the ambient temperature, temperature of the freshly stored food and how often the door is opened, affects the temperature in the refrigerator compartment. If required, change the temperature setting.

- When you first switch on the appliance, for starting a suitable cooling, the appliance should work 24 hours continuously until it cools down to sufficient temperature.
- In this time do not open the door so often and place a lot of food inside the appliance.
- If the unit is switched off or unplugged, you must allow at least 5 minutes before restarting or re-plugged the unit in order not to damage the compressor.
- *The freezer of the refrigerator can cool up to -18°C .*

Accessories

“Door Open” Indicator;



- The « Door Open » indicator on the handle shows whether the door has closed properly or whether it is still open.
- **If the indicator is red, the door is still open.**
- **If the indicator is white, the door is properly closed.**
- **Observe that the freezer’s door should always be kept closed.** This will prevent food products from defrosting; it will avoid heavy ice and frost build-up inside the freezer and an unnecessary increase in energy consumption.

Making Ice cubes;

Ice tray ;

- Fill the ice tray with water and place in freezer compartment.
- After the water completely turned into ice, you can twist the tray as shown below to get the ice cube.



PART- 3. CLEANING AND MAINTENANCE

- Disconnect unit from the power supply before cleaning.



- Do not clean the appliance by pouring water.



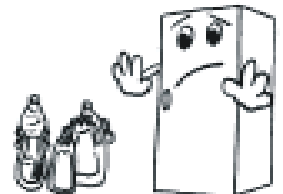
- The refrigerator compartment should be cleaned periodically using a solution of bicarbonate of soda and lukewarm water.



- Clean the accessories separately with soap and water. Do not clean them in the washing machine.



- Do not use abrasive products, detergents or soaps. After washing, rinse with clean water and dry carefully. When the cleaning operations have been completed reconnect the plug of the unit with dry hands.

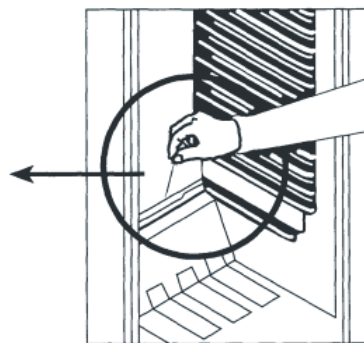
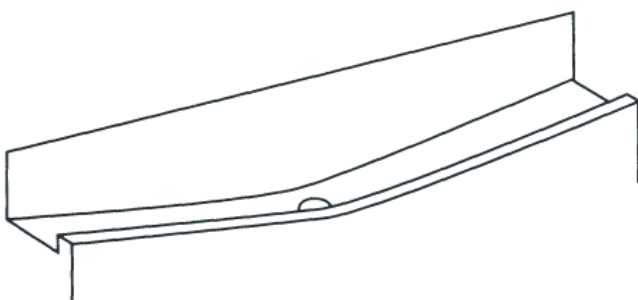


- You should clean the condenser with broom at least twice a year in order to provide energy saving and increase the productivity.



Defrosting

For Larders(coolers) ;



- Defrosting occurs automatically in refrigerator compartment during operation ; the defrost water is collected by the evaporating tray and evaporates automatically.
- The evaporating tray and the defrost water drain hole should be cleaned periodically with defrost drain plug to prevent the water from collecting on the bottom of the refrigerator instead of flowing out.
- You can also pour ½ glass of the water to drain hole to clean inside.

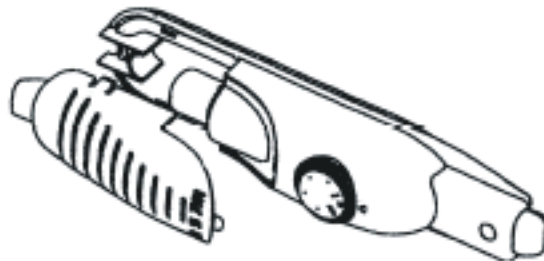
For 2 star model Refrigerators;

The frost, accumulated in the freezer compartment, should be removed periodically. The freezer compartment should be cleaned in the way as the refrigerator compartment, with the defrost operations of the compartment at least twice a year.

For this;

- The day before you defrost, set the thermostat dial to 5. position to freeze the foods completely.
- During defrosting, frozen foods should be wrapped in several layers of paper and kept in a cool place. The inevitable rise in temperature will shorten their storage life. Remember to use these foods within a relatively short period of time.
- Switch the refrigerator off at the socket outlet and pull the main plug
- Leave the door open and to accelerate the defrosting process one or more basins of warm water can be placed in the freezer compartment.
- Dry the inside of the unit and water tray, refit the tray plug and set the thermostat knob to 5 position.

Replacing The Light Bulb



When replacing the light of the refrigerator compartment;

1. Unplug the unit from the power supply,
2. Press the hooks on the sides of the light cover top and remove the light cover
3. Change the present light bulb with a new one of not more than 15 W.
4. Replace the light cover and after waiting 5 minutes plug the unit.

PART- 4.

TRANSPORTATION AND CHANGING OF INSTALLATION POSITION

Transportation and Changing of Installation Position

- The original packages and foamed polystyrene (PS) can be concealed if required.
- In transportation the appliance should be tied with a wide stripe or a strong rope. The rules written on the corrugated box must be applied while transporting.
- Before transporting or changing old installation position, all the moving objects (ie,shelves,crisper...) should be taken out or fixed with bands in order to prevent the shake.



Changing of Door Opening Direction (In some models)

In case you need to change door-opening direction, please consult the domestic after sales service.

PART- 5. BEFORE CALLING YOUR AFTER SALES SERVICE

If your refrigerator is not working properly, it may be a minor problem, therefore check the following, before calling an electrician to save time and money.

What to do if your refrigerator does not operate ;

Check that ;

- There is no power,
- The general switch in your home is not disconnected ,
- The thermostat setting is on « 0 » position,
- The socket is not sufficient. To check this, plug in another appliance that you know which is working into the same socket.

What to do if your refrigerator performs poorly ;

Check that ;

- You have not overloaded the appliance ,
- The doors are closed perfectly ,
- There is no dust on the condenser ,
- There is enough place at the rear and side walls.

If there is noise ;

The cooling gas which circulates in the refrigerator circuit may make a slight noise(bubbling sound) even when the compressor is not running. Do not worry this is quite normal. If these sounds are different check that ;

- The appliance is well leveled ,
- Nothing is touching the rear ,
- The stuffs on the appliance are vibrating.

If there is water in the lower part of the refrigerator ;**Check that ;**

The drain hole for defrost water is not clogged(Use defrost drain plug to clean the drain hole)

If your fridge is not cooling enough;

Your fridge is designed to operate in the ambient temperature intervals stated in the standards, according to the climate class stated in the information label. We do not recommend operating your fridge out of stated temperatures value limits in terms of cooling effectiveness.

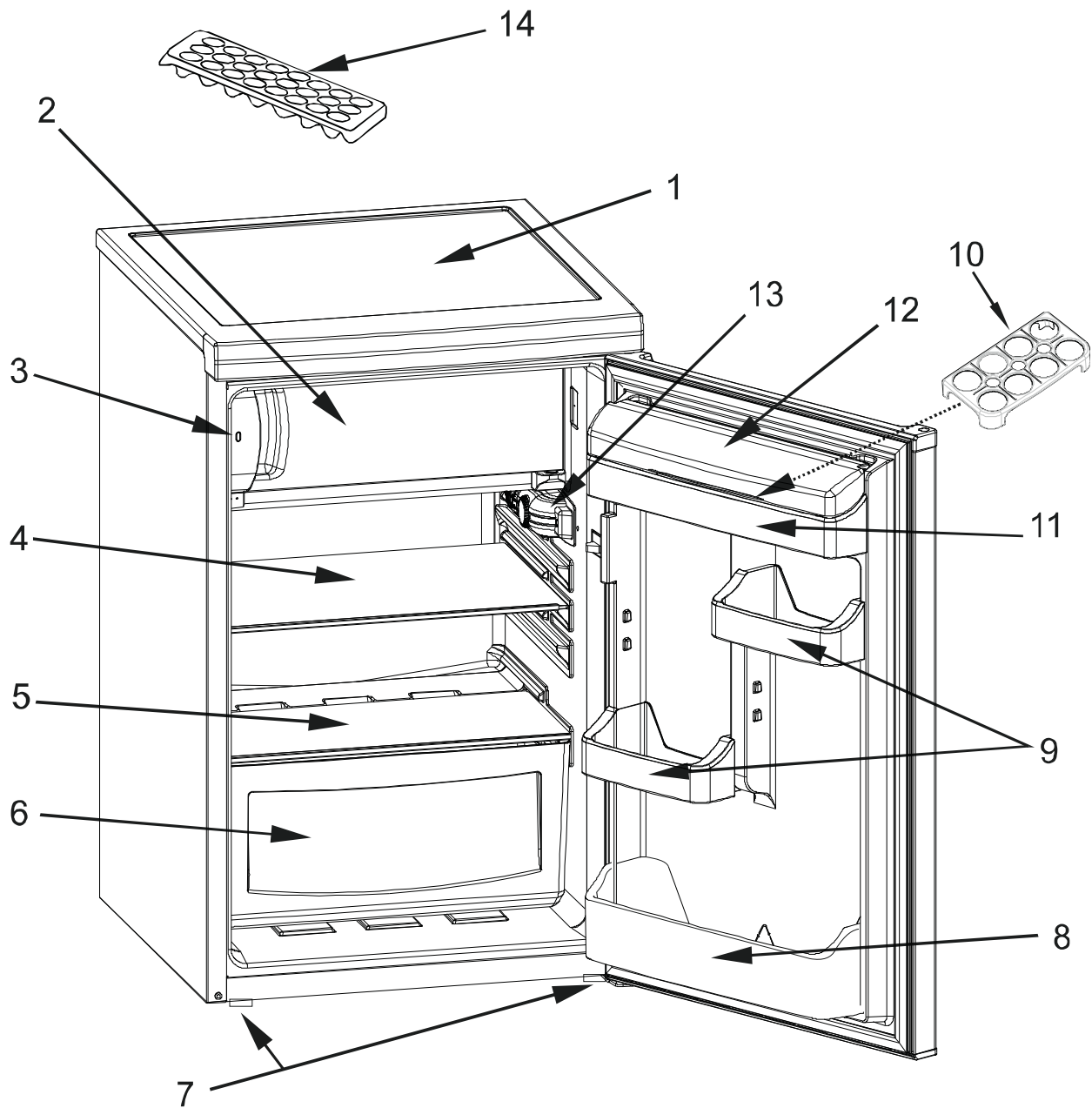
Climate Class	Ambient Temperature (°C)
T	Between 16 and 43 (°C)
ST	Between 16 and 38 (°C)
N	Between 16 and 32 (°C)
SN	Between 10 and 32 (°C)

Recommendations

- In order to increase space and improve the appearance,the « cooling section » of refrigerators is positioned inside the back wall of the refrigerator compartment. When the appliance is running, this wall is covered with frost or water drops,according to weather the compressor is running or not. Do not worry. This is quite normal. The appliance should be defrosted only if an excessively thick layer forms on the wall.
- If the appliance is not used for long time (for example during the summer holidays)set te thermostat knob to « 0 » position. Defrost and clean the refrigerator leaving the door open to prevent the formation of mildew and smell.

PART- 6.

THE PARTS OF THE APPLIANCE AND THE COMPARTMENTS



This presentation is only for information about the parts of the appliance.
Parts may vary according to the appliance model.

- | | |
|-----------------------------------|---------------------|
| 1) Top Table (head panel) | 8) Bottle Shelf |
| 2) Freezer Comprtment | 9) Egg Shelf |
| 3) "Door Open" Indicator | 10) Egg Holder |
| 4) Refrigerator Shelf | 11) Top Shelf |
| 5) Crisper Cover (Safety Glass**) | 12) Top Shelf Cover |
| 6) Crisper | 13) Thermostat Box |
| 7) Leveling Feet | 14) Ice Tray |

PART - 7. ELECTRICAL CONNECTION (UK ONLY)

For your safety please read the following information

Warning: This appliance must be earthed.

This appliance operates from 220-240 volts and should be protected by a 13 amp fuse in the plug.

The appliance is supplied with a standard 13 amp 3-pin mains plug fitted with a 13-amp fuse. Should the fuse require replacement, it must be replaced with a fuse rated at 13 amp and approved to BS1362.

If the mains plug which is fitted is unsuitable for the socket outlet in your home or is removed for any other reason, please follow the instructions below on how to wire a 13 amp 3 pin plug..

How to wire a 13 amp plug.

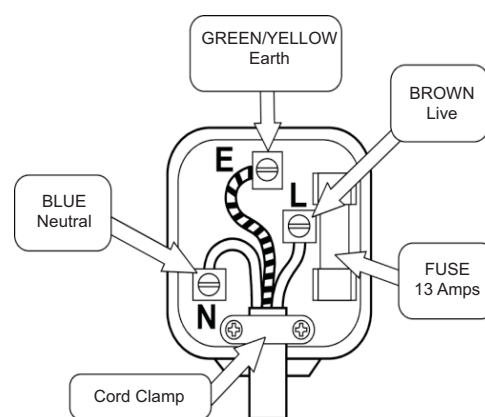
Important

The wires in the mains lead on this appliance are coloured in accordance with the following code:

Green and Yellow - Earth

Blue – Neutral

Brown – Live



As the colours may not correspond with the markings identifying the terminals in your plug proceed as follows.

The green and yellow wire must be connected to the terminal in the plug which is marked with the letter E or with the earth symbol \equiv or coloured green and yellow.

The blue wire must be connected to the terminal marked N.

The brown wire must be connected to the terminal marked L.

You must make sure the lead is firmly secured under the cord clamp.

Inhalt

AUFSTELLUNG	14
Sicherheits Information	14
Hinweise	15
Installation und Anschluss des Gerätes	16
Bevor Inbetriebnahme	16
FUNKTIONEN	17
Temperaturregelung	17
Zubehör	18
“Tür geöffnet” Anzeige; Anzeige;	18
Eiswürfel bereiten;	18
Eisschale	18
REINIGUNG UND PFLEGE	19
Abtauen	19
Für Kühlteil;	19
Für Kühlschrank;	20
Wechsel der Glühlampe	20
TRANSPORT UND STANDORTÄNDERUNG	21
Wechsel des Türanschlages	21
BEVOR SIE DEN KUNDENDIENST RUFEN	22
BAUTEILE UND VORRATSFÄCHER	24

TEIL -1. AUFSTELLUNG

Sicherheits Information

- Die Geräte mit dem Kühlgas R600a, sind sehr umweltfreundlich, aber auch leicht entzündlich. Während des Transportes und der Installation ist mit größter Sorgfalt darauf zu achten, daß der Kühlkreislauf nicht beschädigt wird. Falls es doch zu einer Beschädigung kommt, müssen offenen Flammen vermieden werden. Den Raum, indem das Gerät steht, für einigen Minuten gut lüften.
- Benutzen Sie keine mechanischen Vorrichtungen oder künstlichen Mittel, um den Gefrierprozess zu beschleunigen.
- In dem Kühlschrank dürfen keine elektrische Geräte benutzt werden.
- Falls das Gerät einen alten Kühlschrank ersetzen soll, empfehlen wir als Sicherheitsvorkehrung, das Türschloß des alten Gerätes zu zerstören oder entfernen. Diese Maßnahme verhindert, daß spielende Kinder sich selbst darin einsperren.
- Ältere Geräte enthalten Kühl- und Isolierungsgas, diese müssen ordnungsgemäß entsorgt werden. Zur Entsorgung eines Altgerätes sollten Sie sich einer fachkundigen Müllbeseitigungsstelle anvertrauen. Für weitere Fragen kontaktieren Sie Ihre lokale Behörde oder einen Fachhändler. Bitte stellen Sie sicher, daß die Rohrleitungen bis zur ordnungsgemäßen Entsorgung nicht beschädigt werden.

WICHTIGER HINWEIS :

Um Betriebsstörungen zu vermeiden und mehr Freude an Ihrem Gerät zu haben, bitten wir Sie, vor Inbetriebnahme des Gerätes die Bedienungsanleitung aufmerksam durchzulesen. Der Hersteller übernimmt keine Garantie bei unsachgemäßer Installation und Bedienung des Gerätes.



Fragen Sie bitte Ihre Stadtverwaltung über die Entsorgung von WEEE für Wiederverwendung, Recycling und Recovery-Zwecke.

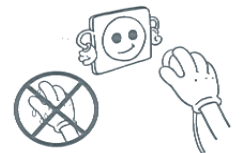
Hinweise

Warnung: Benutzen Sie keine mechanischen Hilfsmittel oder andere Mittel zur Beschleunigung des Abtauvorgangs. Setzen Sie keinerlei Elektrogeräte im Inneren des Gerätes ein. Halten Sie die Belüftungsöffnungen des Gerätes frei. Beschädigen Sie nicht den Kühlkreislauf des Gerätes.

- Zur Verhinderung von Brandgefahr oder Überhitzung dürfen keine Adapter oder Vielfachstecker benutzt werden.
- Schließen Sie keine alte , verbogene Verlängerungskabel an das Gerät.
- Die Kabel nicht wickeln oder knicken.

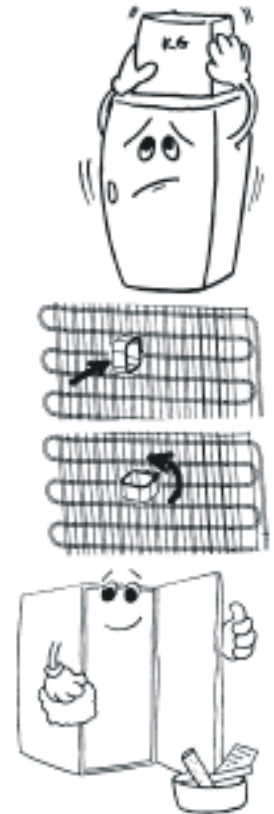


- Verboten Sie Kindern mit dem Gerät zu spielen. Niemals auf dem Gerät sitzen oder sich an die schwingende Tür hängen.
- Benutzen Sie keine scharfkantigen Metallgegenstände um Eis aus dem Gefrierfach zu entfernen. Diese könnten den Kühlschrank irreparabel beschädigen.
- Den Kühlschrank nicht mit nassen Händen an das Stromnetz anschließen.
- Stellen sie keine mit Gasen gefüllte Flaschen , Dosen oder Behältnisse in das Gefrierfach, da diese während des Gefriervorganges explodieren könnten.
- Hochprozentige Alkoholika müssen gut verschlossen, senkrecht im Kühlteil aufbewahrt werden.
- Niemals, vor allem nicht mit nassen Händen die Innenwände des Gefrierfaches berühren. (Gefrierverbrennungsgefahr!)
- Das aus dem Gefrierfach entfernte Eis nicht essen.
- Das Gerät ist nicht zur Nutzung durch Personen (einschließlich Kindern) vorgesehen, die über reduzierte körperliche Eignung, Wahrnehmung oder geistige Fähigkeiten, Mangel an Erfahrung und Wissen verfügen, sofern diese Personen nicht von einer verantwortlichen Person beaufsichtigt oder in der Verwendung des Gerätes unterwiesen wurden. Kinder sollten grundsätzlich beaufsichtigt werden, damit sie nicht mit dem Gerät spielen.
- Falls das Netzkabel beschädigt sein sollte, muss es vom Hersteller, einer seiner Serviceniederlassungen oder einer vom Hersteller empfohlenen Person ausgetauscht werden.



Installation und Anschluss des Gerätes

- Der Kühlschrank wird am Stromnetz mit 220-240V / 50 Hz angeschlossen.
- Nützliche Hilfe zum Aufbau und Inbetriebnahme erhalten Sie kostenlos von unserem Servicepartner.
- Bevor Sie das Gerät an das Stromnetz anschließen, überprüfen Sie die Stromart und Spannung am Aufstellort mit den Angaben auf dem Typenschild des Gerätes.
- Falls der Netzstecker nicht in die Steckdose passt, tauschen Sie ihn mit einem Geeigneten aus. (mind. 16 A)
- Nach dem Transport Gerät 3 Stunden stehen lassen, erst dann über eine vorschriftsmäßige geerdete Schutzkontakt-Steckdose anschließen. Ist die Steckdose nicht geerdet, muss das Gerät von einem Elektriker angeschlossen werden.
- Der Hersteller ist nicht für die unsachgemäße Installation oder Bedienerfehler verantwortlich.
- Der Kühlschrank darf weder der direkten Sonneneinstrahlung, noch anderen thermischen Einflüssen ausgesetzt werden.
- Das Gerät darf nicht im Freien stehen.
- Stellen sie das Gerät nicht in die Nähe von Wärmequellen. Ist dies unvermeidbar, halten Sie den Mindestabstand von 50 cm zu Heizkörpern, Gas- oder Kohleöfen und 5 cm zu Elektroöfen ein. Die notwendige Luftzirkulation darf nicht beeinträchtigt werden.
- Der Abstand zur Decke muß mind. 15 cm betragen.
- Stellen Sie keine schweren oder viele Gegenstände auf das Gerät.
- Stellen Sie das Gerät neben einen anderen Kühlschrank oder Gefriertruhe, muss zur Vermeidung einer Kondensation ein Abstand von 2 cm eingehalten werden.
- Stellen Sie keine sehr heiße Lebensmittel oder Schüsseln auf das Gerät. Die Oberfläche könnte beschädigt werden.
- Montieren Sie die Wandabstandhalter am oberen Teil des Kondensators (Riffelblech auf der Rückseite). Diese vermeiden ein Anlehnen des Gerätes an der Wand.
- Der Kühlschrank ist stabil und waagrecht auf den Boden zu stellen. Durch die zwei vorderen verstellbaren Füße kann das Gerät waagrecht ausgerichtet werden.
- Zur regelmäßigen Reinigung eignet sich lauwarmes Wasser mit einem leicht desinfizierten Reinigungsmittel (Handspülmittel). Das Gehäuse und Zubehör separat mit Seifenwasser reinigen. Die getrockneten Zubehöerteile wieder in das Gerät einsetzen.



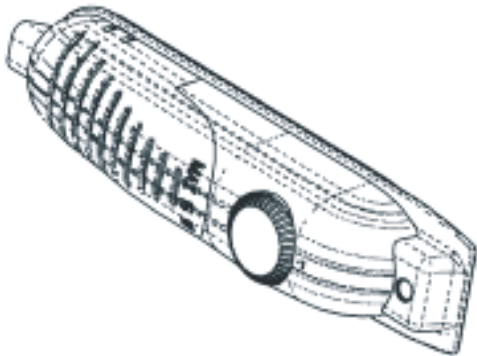
Bevor Inbetriebnahme

- Bevor Sie das Gerät anschließen, sollten Sie das Gerät nach dem Transport 3 Stunden stehen lassen. Dies ist wichtig für einwandfreie Funktion.
- Nach der ersten Inbetriebnahme kann ein Geruch entstehen. Sobald die Kühlung beginnt, verschwindet der Geruch.



TEIL -2. FUNKTIONEN

Temperaturregelung



- Die Temperatur im Kühlteil und Gefrierfach wird durch ein Thermostat automatisch konstant gehalten. Die Regelung der Temperatur erfolgt durch einen Drehschalter. Wenn der Handgriff in der rechten Endposition /Position 5/ steht, sind die Temperaturen relativ niedrig ; wenn der Handgriff in der linken Endposition /Position 1/ steht, sind die Temperaturen relativ hoch. Die übrigen Positionen dazwischen entsprechen den Zwischenstufen der Kühlung. Die Position «0» besagt, Thermostat ist ausgeschaltet , es kommt zu keiner Kühlung.

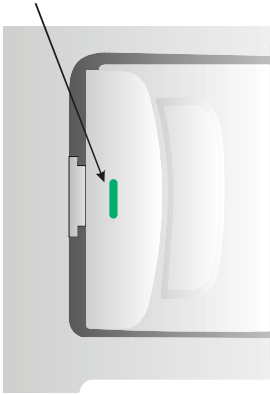
Für kurzweilige Lagerung von Lebensmittel im Gefrierfach, können Sie den Schalter zwischen die minimale bis mittlerer Position stellen. Bei langfristiger Lagerung stellen Sie den Schalter auf mittlere Position.

Beachten Sie, daß die Temperatur von vielen Faktoren abhängig ist: z.B. der Thermostatposition, der Umgebungstemperatur, häufigem Türöffnen, sowie der Menge und Beschaffenheit der zu frierenden und lagernden Lebensmittel. Je nach Bedarf können Sie die Temperatureinstellung ändern.

- *Zum Erreichen einer angemessene Kühlung muss bei der ersten Inbetriebnahme das Gerät ohne Unterbrechung 24 Stunden laufen.*
- *Während diesem Zeitraum sollte die Tür nicht ständig geöffnet werden. Verstauen Sie so viel Lebensmittel als möglich in das Gerät.*
- *Um eine Beschädigung des Kompressors zu vermeiden, muss zwischen An- und Ausschalten des Gerätes ein Zeitrahmen von mind. 5 Minuten liegen. Dies gilt auch, wenn Sie den Stecker aus der Steckdose ziehen und wieder einstecken.*
- Der Kühlschrank verfügt über ein Gefrierfach mit einer Kühlleistung bis -18°C .

Zubehör

“Tür geöffnet” Anzeige; Anzeige;

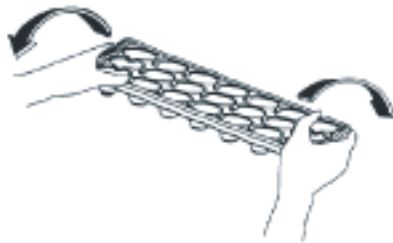


- Die geöffnete “ Anzeige “ der Tür auf dem Handgriff zeigt, ob die Tür richtig geschlossen hat, oder ob sie noch geöffnet ist.
- wenn die Anzeige rot ist, die Tür ist noch geöffnet
- wenn die Anzeige weiß ist, die Tür wird richtig geschlossen.
- beobachten, daß die Tür der Gefriermaschine geschlossen immer gehalten werden sollte. Dieses verhindert, daß Nahrungsmittel entfrosten; es vermeidet schwere Eis- und Frostanhäufung innerhalb der Gefriermaschine und eine nicht notwendige Zunahme des Energieverbrauchs

Eiswürfel bereiten;

Eisschale

- Eisschale nur zu Dreiviertel mit Wasser füllen und im Gefrierfach gefrieren lassen.
- Die Eiswürfel lösen sich aus der Schale durch Verwinden (s.untere Abb.) oder wenn die Eisschale kurze Zeit unter fließendes Wasser gehalten wird.

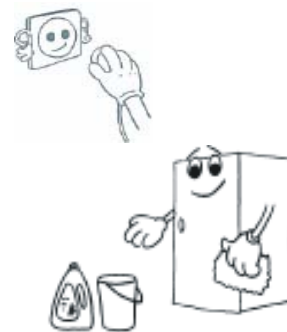


TEIL -3. REINIGUNG UND PFLEGE

- Grundsätzlich vor dem Reinigen Netzstecker ziehen bzw. Sicherung abschalten .



- Gießen Sie kein Wasser in das Gerät.



- Zur regelmäßigen Pflege eignet sich lauwarmes Wasser mit einem leicht desinfizierendem Reinigungsmittel (Handspülmittel).



- Das Zubehör separat mit Seifenwasser reinigen. Diese dürfen nicht in der Spülmaschine gewaschen werden.



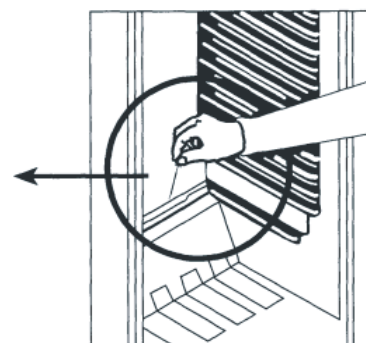
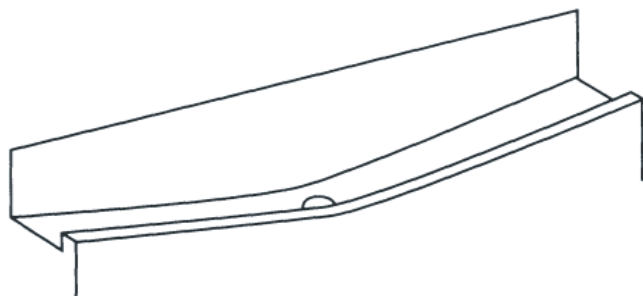
- Benutzen Sie keine säurehaltigen Putzmittel bzw. chemische Lösungsmittel. Nach der Reinigung mit klarem Wasser nachwischen und sorgfältig trocknen. Nach der Reinigung kann das Gerät mit trockenen Händen wieder angeschlossen werden.

- Um Energie zu sparen und die Produktivität zu erhalten sollte der Kondensator (Riffelblech auf der Rückseite) mindestens 2 x jährlich mit einem Besen gereinigt werden



Abtauen

Für Kühlteil;



- Während das Gerät läuft, taut er sich automatisch ab. Das Tauwasser wird in der Verdunstungsschale gesammelt und verdampft automatisch.
- Tauwasserablauffrinne und Ablaufloch im Kühlraum häufiger reinigen, damit das Tauwasser ungehindert ablaufen kann. Benutzen Sie hierfür einen geeigneten spitzen Gegenstand.
- Sie können auch ein ½ Glas Wasser in das Abflußrohr gießen.

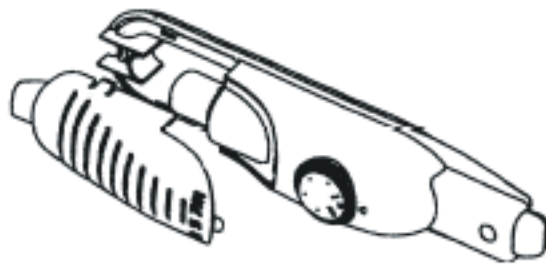
Für Kühlschrank;

Entfernen Sie regelmäßig die im Gefrierfach entstandene Reifschicht. Reinigen Sie das Gefrierfach mindesten 2 x jährlich, wie bereits im Kühlteil beschrieben.

Abtauen:

- Prüfen Sie die korrekte Plazierung der Wasserauffangschale.
- 1 Tag vor dem Abtauen, Thermostat auf 5. Position stellen, um die Güter komplett einzufrieren.
- Gefriergut in Zeitungspapier einschlagen und an einem kühlen Ort aufbewahren, bis das Gerät abgetaut ist. Durch die extreme Temperatursteigerung verkürzt sich die Lebensdauer der Güter und sollten schnellst möglich verzehrt werden.
- Lassen Sie die Tür geöffnet. Zum Beschleunigen des Abtauvorgangs einen oder mehrere Töpfe mit heißem, nicht kochendem Wasser in das Gefrierfach stellen.
- Das Gefrierfach und die Auffangschale gründlich trocknen und das Thermostat auf Max. Position stellen. Stecken Sie das Ablaufrohr wieder zurück.

Wechsel der Glühlampe



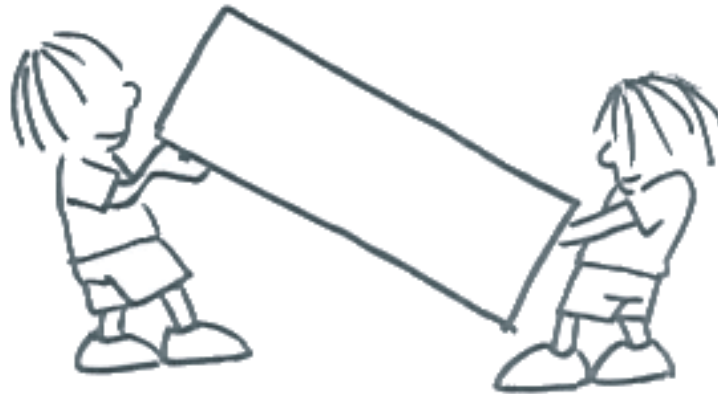
Wenn Sie die Glühlampe aus dem Kühlteil wechseln wollen:

1. Netzstecker aus der Steckdose ziehen
2. Lichtdeckel durch Drücken der seitlichen Haken entfernen.
3. Tauschen Sie die defekte Glühlampe gegen eine Neue aus (max. 15 W)
4. Setzen Sie den Lichtdeckel wieder ein und warten Sie 5 Minuten bis Sie das Gerät wieder einschalten.

TEIL -4. TRANSPORT UND STANDORTÄNDERUNG

Transport und Änderung des Standortes

- Die Originalverpackung muss nicht verwendet werden.
- Während des Transportes Gerät mit einem festen Seil sichern. Die Transportbestimmungen auf dem Wellpappkarton müssen befolgt werden.
- Vor Transport alle beweglichen Teile aus dem Gerät entnehmen oder mit Klebstreifen befestigen.



Wechsel des Türanschlages (Bei bestimmten Modellen)

Bitte kontaktieren Sie den Kundendienst. Bitte kontaktieren Sie den Kundendienst (Wechseln kostenpflichtig) oder ändern Sie den Türanschlag selbständig (s.Anleitung).

TEIL -5. BEVOR SIE DEN KUNDENDIENST RUFEN

Ihr Gerät ist so konstruiert und hergestellt, daß Störungsfreiheit und lange Lebensdauer gegeben sind. Sollte dennoch während des Betriebs eine Störung auftreten, so wenden Sie sich bitte an die nächste Kundendienststelle. Prüfen Sie vorher jedoch, ob die Störung evtl. auf Bedienungsfehler zurückzuführen ist, denn in diesem Fall müssen Ihnen auch während der Garantiezeit die anfallenden Kundendienstkosten berechnet werden. Folgende Störungen können Sie durch prüfen der möglichen Ursachen selbst beheben :

Das Gerät läuft nicht

- Stromausfall
- Die Hauptsicherung ist ausgefallen
- Das Thermostat steht auf Position « 0 »
- Die Sicherung der Steckdose ist nicht in Ordnung. Prüfen Sie dies, indem Sie ein anderes Gerät an der selben Steckdose anschließen.

Die Gefrierraumtemperatur ist nicht ausreichend tief

- Das Gerät ist überladen
- Die Türen sind nicht korrekt verschlossen
- Staub auf dem Kondensator
- Die Be- und Entlüftung ist nicht in Ordnung. Das Gerät steht zu nah an einer Wand oder Gegenstand.
- **Die Geräusche sind zu laut**
- Strömungsgeräusche im Kältekreislauf sind nicht zu vermeiden. Wenn sich das Geräusch verändern sollte, prüfen Sie folgendes:
- Steht das Gerät fest auf dem Boden ?
- Werden nebenstehende Möbel oder Gegenstände von dem laufenden Kühlaggregat in Vibration gesetzt ?
- Vibrieren auf der Geräteoberfläche aufgestellte Gegenstände ?

Wasser befindet sich im unteren Teil des Kühlteils (für 134/127 L Modell)

Abflußrohr ist verstopft. Reinigen Sie das Abflußloch.

Falls Ihr Kühlgerät nicht richtig kühlen sollte:

- Ihr Kühlgerät wurde gemäß seiner Klimaklasse zum Einsatz bei bestimmten Umgebungstemperaturen entwickelt; entsprechende Angaben finden Sie auf dem Typenschild. Wenn Sie das Kühlgerät bei Umgebungstemperaturen außerhalb des empfohlenen Bereiches betreiben, kann die Kühlleistung darunter leiden.

<i>Klimaklasse</i>	<i>Umgebungstemperatur (°C)</i>
T	zwischen 16 und 43
ST	zwischen 16 und 38
N	zwischen 16 und 32
SN	zwischen 10 und 32

Hinweis

- Das Kühlsystem befindet sich in der Rückwand des Kühlteils, um ein verbessertes Aussehen zu erhalten. Je nach dem , ob der Kompressor läuft, entstehen Wasserperlen oder eine Reifschicht auf der Wand. Kein Grund zur Sorge, das ist normal. Nur bei einer übermäßig dicken Schicht auf der Wand empfiehlt es sich das Gerät abzutauen(nur 145 l. modell).
- Wenn das Gerät für längere Zeit außer Betrieb gesetzt wird (z.B. während den Sommerferien): Gerät ausschalten, Netzstecker ziehen. Gerät reinigen und die Tür geöffnet lassen um Geruchs- und Schimmelbildung zu vermeiden.

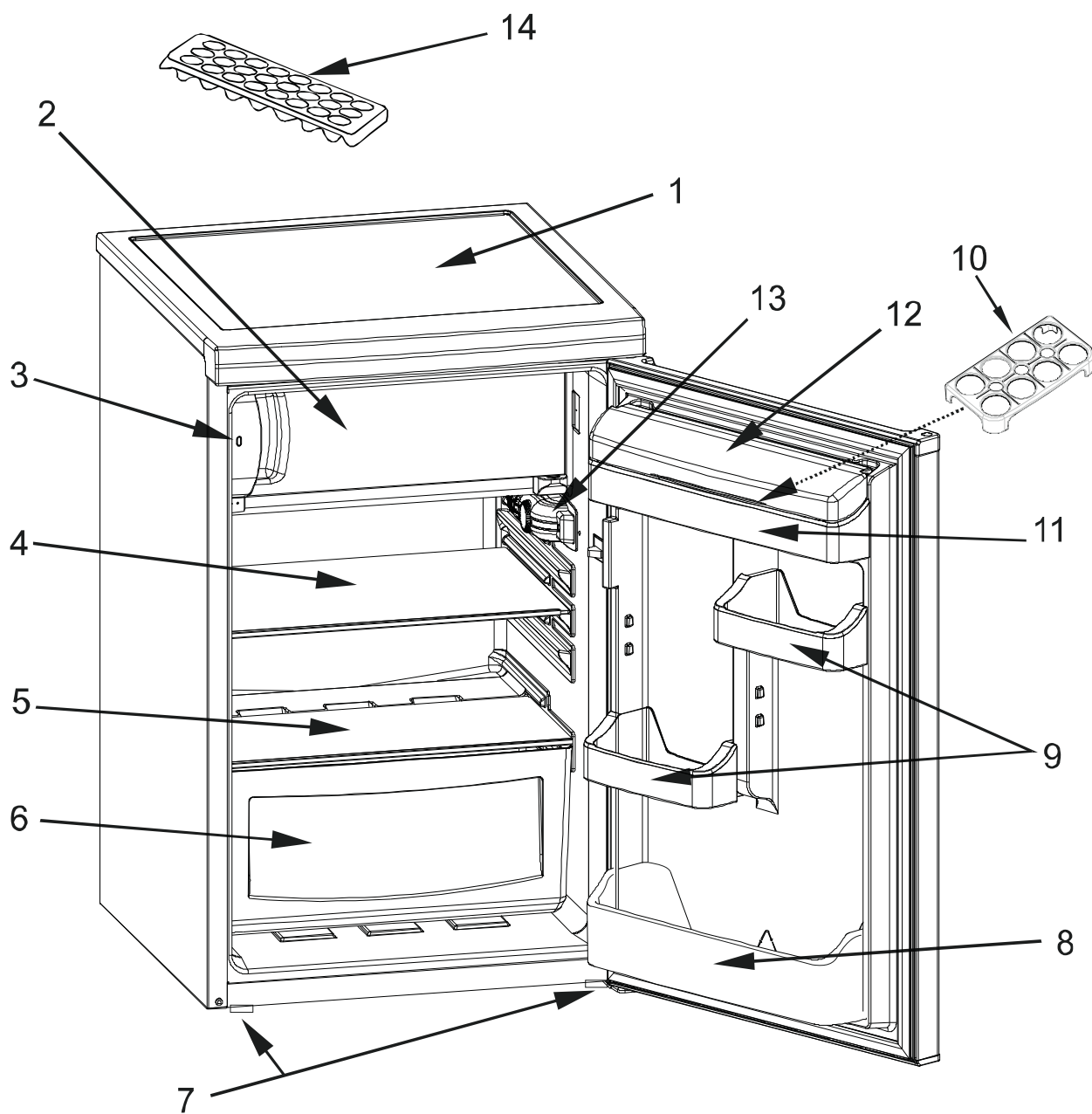
Falls Sie sämtliche Hinweise beachtet haben, das Gerät aber dennoch nicht richtig funktionieren sollte, wenden Sie sich bitte an den autorisierten Kundendienst in Ihrer Nähe.

Die Einsatzdauer des Gerätes (diese entspricht der Zeit, in der wir stets Ersatzteile für das Gerät bereithalten) beträgt 10 Jahre.

Konformitätserklärung

- Die Klimaklasse Tropen steht lt. den Normen TS EN ISO 15502 für Umgebungstemperaturen zwischen 16°C und 43°C
- Die Konstruktion des Geräts entspricht den Normen E N1 55 02 , IE C6 03 35 -1 / IEC60335-2-24, 2004/108/EC.

TEIL -6. BAUTEILE UND VORRATSFÄCHER



Diese Abbildung dient lediglich der Veranschaulichung.
Die Teile und Komponenten können je nach Modell variieren.

1) KÜHLSCHRANK

2) GEFRIERFACH

3) "TÜR GEÖFFNET" ANZEIGE

4) KÜHLTEIL-ROST

5) GLASREGAL

6) GEMÜSEFACH

7) VERSTELLBARE FÜßE

8) FLASCHEN FACH

9) EIER FACH

10) EIER HALTER

11) BUTTER KÄSE FACH

12) BUTTER KÄSE DECKEL

13) THERMOSTATDECKEL

14) EISSCHALE

