

NORDMENDE

RIFF50501NM



OPERATING MANUAL

Sticker with serial number of appliance

GENERAL INFORMATION

Dear Customer,

This fridge-freezer is a combination of exceptional user-friendliness and excellent efficiency. Prior to dispatch, each unit was carefully checked for its safety and operating capabilities.



Before starting the appliance, please read this operating manual carefully.



Note!

This fridge-freezer is intended for use at home only.

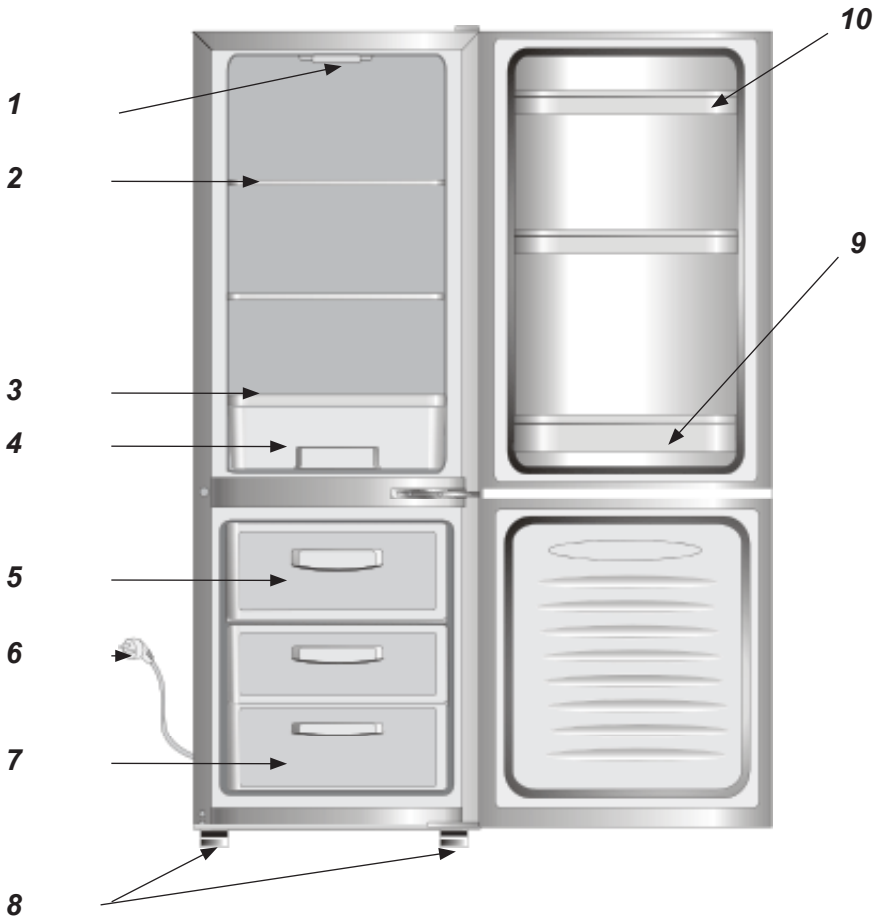
The manufacturer reserves the right to introduce modifications, which do not affect the operation of the appliance. The changes in the equipment, as well as the inside and outside decoration, which do not affect its functionality and safety are permissible.

TABLE OF CONTENTS

Construction and equipment of the appliance.....	4
Guidelines concerning the safety of use.....	6
Installation.....	8
Change in the door hinging.....	10
Mounting in furniture.....	11
Operation and functions.....	12
Using the refrigerator efficiently.....	15
Defrosting, washing and maintenance.....	17
Trouble-shooting.....	19
Environmental protection.....	21
Specification.....	22

CONSTRUCTION AND EQUIPMENT OF THE APPLIANCE

Example



Other elements



The accurate description of the equipment for the model of the fridge-freezer purchased by you may be found in the table on next page.

CONSTRUCTION AND EQUIPMENT OF THE APPLIANCE

1	Control panel
2	Glass Shelf
3	Glass shelf above the vegetable compartment
4	Vegetable compartment
5	Medium drawer
6	Cord with plug
7	Large drawer
8	Adjustable feet
9	Large door shelf
10	Medium door shelf
11	Cleaning plug
12	Egg tray

Items of equipment	RIFF50501NM
Equipment of the fridge	
Glass shelf	3
Glass shelf above the vegetable compartment	1
Vegetable compartment	2
Medium door shelf	2
Large door shelf	1
Small door shelf	1
Cleaning plug	1
Wire bottle shelf	1
Egg tray	1
Lighting type	LED
Equipment of the freezer	
Drawer	4
Ice cube tray	1

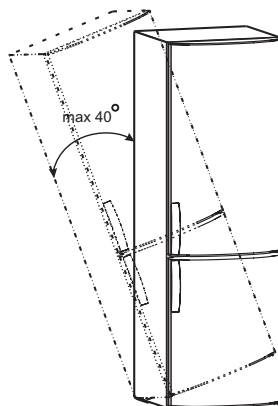
GUIDELINES CONCERNING THE SAFETY OF USE



- The Manufacturer shall not be held liable for the damage arising from the failure to observe the principles contained in this manual.
- Keep this manual for future reference, or to pass it over to the possible next user.
- This appliance is not intended for use by persons (including children) with limited physical, sensual or psychical capabilities and persons who lack experience or familiarity with the appliance, unless attended or in accordance with the operating manual for the appliance delivered by persons responsible for their safety.
- Do not allow unattended children to use the appliance. Do not allow them to play with the appliance. They must not climb inside the drawers and swing on the doors.
- The fridge-freezer operates properly at the N-ST ambient temperature. Do not use it in the cellar, unheated summer cottage during autumn and winter.
- When placing, moving, lifting the appliance, do not hold the door handles, do not pull the condenser at the rear part of the refrigerator and do not touch the compressor unit.



- When transporting, moving or positioning the fridge-freezer do not tilt it by more than 40° from the vertical position. Should such a situation occur, the appliance should be switched on after minimum 2 hours from its re-placement in the right position (fig. 1).



- Pull the plug out from the mains socket before each maintenance activity. Do not pull the cord, but hold the body of the plug instead.
- The cracking-like sound, which the appliance may emit is caused by expansion and shrinking of parts as a result of temperature variations.
- For safety reasons do not repair the appliance on your own. Repairs carried out by persons who do not have required qualifications may constitute a serious hazard for the user of the appliance.

GUIDELINES CONCERNING THE SAFETY OF USE



● Air the room in which the appliance is placed for a few minutes (the size of the room for a product containing isobutane/R600a must be at least 4m³) in case of damage to the cooling system.

● Do not refreeze the partly thawed products.

● Do not store beverages in bottles and cans, especially carbonated beverages in the freezer chamber. The cans and bottles may explode.

● **Do not put frozen products, taken out directly from the freezer (lollies, ice cubes, etc.) into your mouth, their low temperature may cause severe frost-bite.**



● Make sure you do not damage the cooling system by punching the refrigerant pipes in the evaporator or breaking the pipes. The refrigerant splashes are flammable. Rinse the eyes with clean water and call for medical assistance immediately in case of their contact with the refrigerant.

INSTALLATION AND OPERATING CONDITIONS OF THE APPLIANCE

Installation before using the appliance for the first time

1. Take the product out of the package, remove the scotch tape protecting the door and the equipment. The possibly remaining adhesive stains may be removed with a mild washing agent.
2. Do not throw away the polystyrene elements of the packaging. In the case of the necessity to transport the fridge-freezer, pack it in the polystyrene elements and film, as well as protect it with scotch tape.
3. Clean the interior surface of the fridge-freezer and the elements of the equipment with a washing agent dissolved in lukewarm water, then wipe it dry.
4. Place the fridge-freezer on an even, flat and stable surface, in dry, aired and shadowy room, far from heat source such as an oven, cooktop, central heating radiator, central heating pipe, hot water installation, etc.



Minimal distances from heat sources

- from the electric gas and other ovens - 30 mm,
- from oil or coal fired ovens - 300 mm,
- from in-built ovens - 50 mm

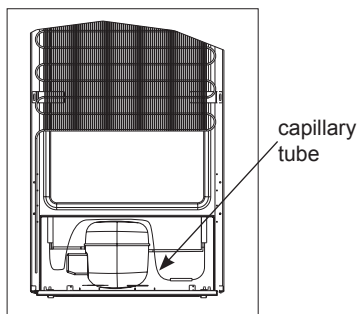
If there is no possibility to ensure the above-mentioned distances, provide an appropriate insulation board.

INSTALLATION AND OPERATING CONDITIONS OF THE APPLIANCE



It is prohibited to readjust or modify any parts of the unit. It is crucial not to damage the capillary tube visible in the compressor recess. The tube may not be bent, straightened or wound.

If the capillary tube is damaged by the user the guarantee will be void (fig. 4).



This appliance must be earthed. The flexible cord (mains lead) fitted to this appliance has three cores for use with a 3-pin 13-amp plug. If a BS 1363 (13-amp) fused plug is used, it should be fitted with a 13-amp fuse.

- The data is provided on the rated plate located at the bottom of the wall inside the chamber.

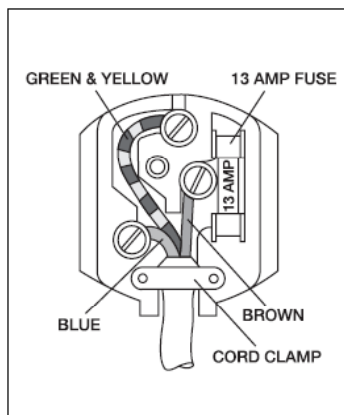
Important

The cores in this mains lead are coloured in accordance with the following code:
GREEN-AND-YELLOW: EARTH
BLUE: NEUTRAL
BROWN: LIVE

These colours might not correspond with the colour markings identifying the terminals in your plug.

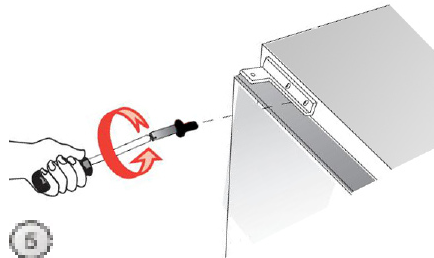
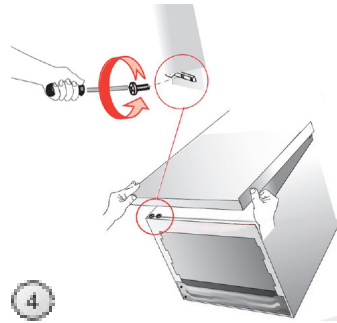
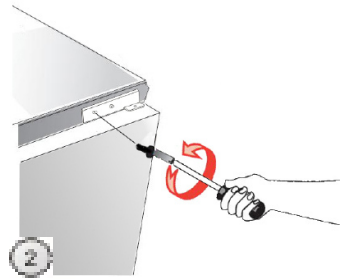
Mains connection

- Before the appliance is connected to the mains, set the adjustment knob to the "0" / "OFF" position.
- The appliance is intended for connection to alternating current. The connection values for voltage (V) and frequency (Hz) are given on the nameplate in the cabinet. Power must be connected via a wall socket with switch. The wall socket should be easily accessible. All earthing requirements stipulated by the local electricity authority must be observed. The cabinet plug and wall socket should then give correct earthing. If in doubt, contact your local supplier or an authorised electrician.



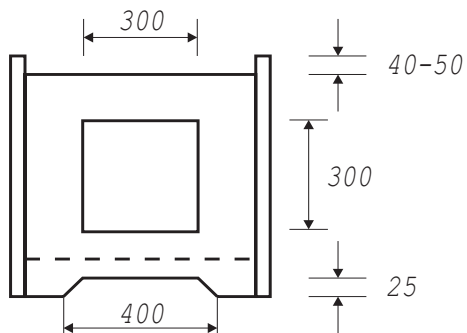
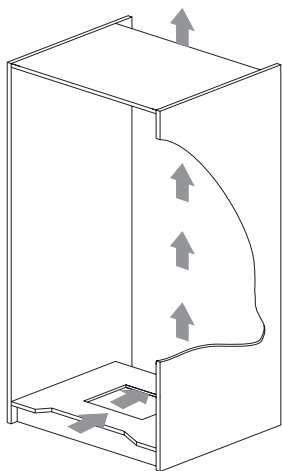
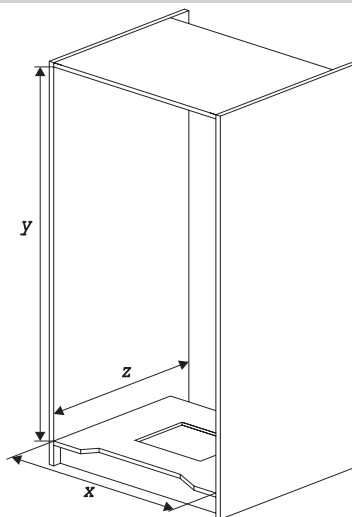
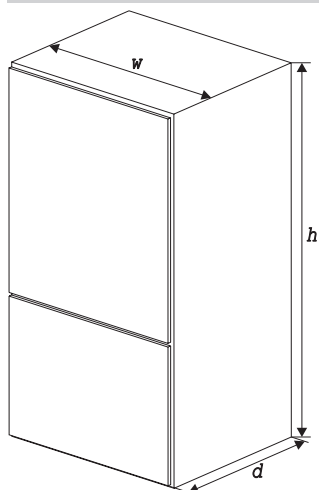
REVERSING THE DOOR OPENING DIRECTION

1. Before reversing the door opening direction, unplug the appliance and remove all food.
2. Using a flat screwdriver pry and remove hinge caps.
3. Using a Phillips screwdriver remove the door upper hinge while holding the door (Fig. 2).
4. Using a Phillips screwdriver remove the middle hinge while holding the upper door*
5. Set the door aside in a safe place.
6. Tilt the appliance (up to 40 degrees) so as to have sufficient access to the lower hinge (Fig. 3).
7. Using a Phillips screwdriver remove lower door hinge
8. Attach the lower hinge on the other side (Fig. 4).
9. Position the door assembly in such a way so that pin of the lower hinge is aligned with the appropriate hole of the lower door bracket.
10. Attach the middle hinge on the other side of the appliance so that the lower pin of the middle hinge is aligned with the appropriate hole of the upper door bracket. Position the second door assembly so that the upper pin of the middle hinge is aligned with the appropriate hole of the lower door bracket.*
11. Attach the upper hinge so that the hinge pin is aligned with the appropriate hole of the upper door bracket.* (Fig. 5).
12. Check that doors are properly aligned with the appliance body.
13. Replace the hinge caps.
14. Switch on the appliance as described in the relevant section of its operating instructions.



* This action applies to appliances with both refrigeration and freezer chambers.

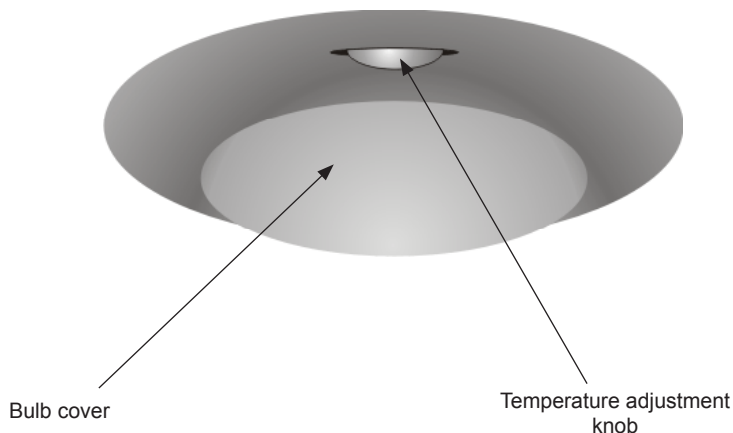
MOUNTING IN FURNITURE



Symbol on drawing	Dimension [mm]
h	1773-1778
w	540
d	540
x	560
y	1774-1782
z	550-560

OPERATION AND FUNCTIONS

Control panel



Temperature adjustment

Change in the knob adjustment causes temperature change in the fridge. Possible knob adjustment:

- appliance switched off - 0 setting
- maximum temperature - setting 1
- optimal temperature - 2-6 setting
- minimum temperature - 7 setting



Do not put food into the fridge before it has reached its operating temperature, which takes minimum 4 hours.

Temperature inside the fridge

Do not change the temperature settings due to the change in the season of the year. The ambient temperature increase will be detected by the sensor and the compressor will be switched on automatically for a longer period of time in order to maintain the temperature set inside the chambers.

Minor changes in temperature

The slight changes in temperature are perfectly normal and may occur, for instance during the storage of great quantities of fresh products in the fridge, or when the door is open for a longer period of time. This will not affect the condition of the stored foodstuff, and the temperature will quickly return to its set value.

OPERATION AND FUNCTIONS

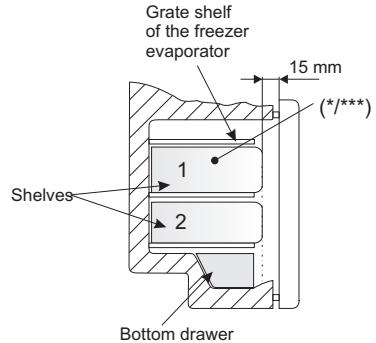
Storage of food in the fridge-freezer

Observe the following recommendations to ensure the food remains fresh.

- The products should be placed on plates in containers or packed in food wrap. Distribute them evenly all over the shelves.
- Pay attention whether the food contacts the rear wall, if so, it may cause frosting or wetting of the products.
- **Do not put dishes with hot content into the fridge**
- Products which take over foreign flavours easily such as butter, milk, white cheese and products with intense flavour, such as fish, smoked meat, hard cheese must be placed on shelves, packed in food wrap or in tightly sealed containers.
- Storage of vegetables containing significant quantity of water will cause the deposition of water steam on the vegetable containers, it does not impact the proper functioning of the fridge.
- Before putting the vegetables into the fridge, dry them well.
- Excessive moisture shortens the shelf life of vegetables, especially the leafed vegetables.
- Do not wash the vegetables before storing in the refrigerator. Washing removes the natural protection, therefore it is better to wash the vegetables directly before consumption.

Freezing food

- It is allowed to place the food in the shelves (see fig. 15).



15

- Practically all the food products, except for vegetables consumed raw, such as lettuce can be frozen.
- Only food products of the highest quality, divided into small portions for single use, should be frozen.
- Products should be packed in materials that are odourless, resistant to air and moisture penetration, and not susceptible to fat. Plastic bags, polyethylene and aluminium sheets are the best wrapping materials.
- The packaging should be tight and should stick to the frozen products. Do not use glass containers.

OPERATION AND FUNCTIONS

- Keep the fresh and warm foodstuff at ambient temperature away from the products, which have already been frozen.
- We advise not to place more than 2 kg of fresh food at a time to the freezer per day (see table on page 72).
- In order to maintain good quality of the frozen food, reorganise the food that is in the middle of the freezer, so that it does not touch the products that are not frozen yet.
- It is recommended to move the already frozen products to one side and place the fresh products that are to be frozen to the opposite side, as close to the rear and side walls as possible.
- **Bear in mind that the temperature in the freezer is affected by several factors, including the ambient temperature and the quantities of food products in the chamber, frequency of opening the door, amount of frost in the freezer, and the thermostat setting.**
- **If you cannot open the freezer door immediately after closing it, allow 1-2 minutes for negative pressure to compensate, and retry opening the door.**

The time of storage of the frozen products depends on their quality when fresh, before freezing and on the storage temperature.

The following storage periods are recommended when the temperature of -18°C or lower is maintained:

Products	Months
Beef	6-8
Veal	3-6
Giblets	1-2
Pork	3-6
Poultry	6-8
Eggs	3-6
Fish	3-6
Vegetables	10-12
Fruit	10-12

USING THE REFRIGERATOR EFFICIENTLY

Practical everyday tips

- Do not place fridges or freezers next to radiators, heaters, stoves or in direct sunlight.
- Make sure that air vents are not covered up and clean the dust off them once or twice a year.
- Select the right temperature: **6 to 8°C in your refrigerator** and **-18°C** in your freezer is sufficient.
- When on holiday, turn up the temperature in your fridge.
- Only open your fridge or freezer when necessary. It helps if you know what food they contain and where it is located. Return food to the fridge or freezer as soon as possible after you have used it so that it doesn't warm up too much.
- Wipe out the inside of your fridge regularly with a cloth soaked in a mild detergent. Appliances which are not self-defrosting will require regular defrosting. Don't allow frost layers thicker than 10 mm to form.
- Keep the seal around the door clean, otherwise it won't shut properly. Always replace broken seals.

Understanding the stars

- * Temperature is at least **-6°C**; sufficient to store frozen food for about a week. Drawers or compartments marked with one star used to be a feature of (mostly) cheaper fridges.
- ** Food can be stored at **-12°C** or below for 1-2 weeks without losing their taste. Not suitable for freezing food.
- *** Mainly used to store foods at **-18°C** or below. Can also be used to freeze up to 1 kilogram of fresh food.
- **** This appliance is suitable for storing foods at **-18°C** or below and freezing larger quantities of fresh foods.

USING THE REFRIGERATOR EFFICIENTLY

Storage zones in the refrigerator

- Due to the natural circulation of the air in the appliance, there are different temperature zones in the refrigerator chamber.
- The coldest area is directly above the vegetables drawers. Use this area for all delicate and highly perishable food e.g.
 - Fish, meat, poultry
 - Sausage products, ready meals
 - Dishes or baked goods containing eggs or cream
 - Fresh dough, cake mixtures
 - Pre-packed vegetable and other fresh food with a label stating it should be kept at a temperature of approx 4°C.

- The warmest area is in the top section of the door. Use this for storing butter and cheese.

Food that should not be stored in a refrigerator

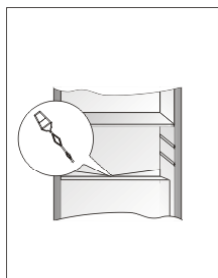
- Not all food is suitable for storing in the refrigerator. These include:
 - Fruit and vegetables which are sensitive to cold, such as bananas, avocado, papaya, passion fruit, aubergines, peppers, tomatoes and cucumbers.
 - Fruit which is not yet ripe
 - Potatoes



DEFROSTING, WASHING AND MAINTENANCE

Defrosting the fridge

Frost settles on the rear wall of the fridge chamber. It is removed automatically. During the defrosting, the condensate, which contains contaminants may clog the opening in the trough. Should it occur, carefully unclog the opening with the cleaning plug (fig. 16).



16

- The appliance operates in cycles: it refrigerates (then the frost settles on the rear wall), and defrosts (water flows down the rear wall).



Disconnect the appliance from the mains before cleaning by removing the plug from the mains socket or switching off the fuse. Prevent water from penetrating the control panel or the light.

- Do not use defrosting aerosols. They may cause the formation of explosive mixture, or contain solvents which may damage the plastic components of the appliance and even be harmful to health.
- Make sure the water used for cleaning does not flow into the evaporation container through the discharge opening.
- The whole appliance, except for the door gasket must be cleaned with a mild cleaning detergent. The door gasket should be cleaned with water and wiped dry.
- Wash all the accessories (vegetable containers, door shelves, glass shelves, etc.).

Defrosting the freezer

- It is recommended to combine defrosting the appliance with washing it.
- Excessive accumulation of ice on the freezing areas impairs the appliance's freezing capacity and increases the energy consumption.
- Defrost the appliance at least once or twice a year.
- If there is food in the freezer, set the knob to the max. position before the planned defrosting. This will ensure the possibility of storing the food at the ambient temperature for a longer time.
- After taking the food out of the freezer, put it in a container, wrap it with several layers of paper, a blanket and store it at a cool place.
- The defrosting operation should last as short as possible. Long storage of food at the ambient temperature shortens their shelf life.



You must not put an electric heater, a heating fan or a hair dryer into the freezer by any means.

In order to defrost the freezer chamber, you must take the following steps:

1. Set the knob at "0" position, take out the plug from the mains socket.
2. Open the door and remove the food from the freezer.
3. Remove the drawers.

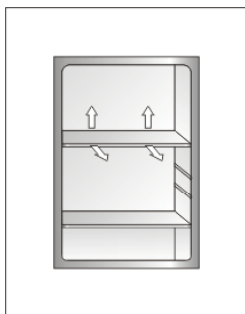


17

DEFROSTING, WASHING AND MAINTENANCE

Taking out and putting in the shelves

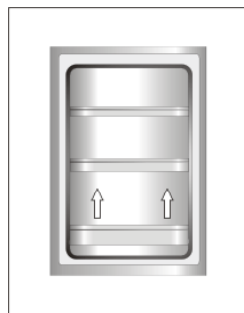
Slide the shelf out, then slide it in as much as possible so that its clamp could fit the guide groove (fig. 18).



18

Taking out and putting in the door shelf

Lift the door shelf, remove it and put it back from the top into its required position (fig. 20).



24

TROUBLE-SHOOTING

Problems	Possible causes	Remedies
The appliance does not work	Electric circuit rupture	<ul style="list-style-type: none"> - check whether the plug is properly inserted into the socket - check whether the power cable of the appliance is not damaged - check whether there is voltage in the socket, by plugging another appliance, e.g. a night lamp - check whether the appliance is switched on by setting the thermostat to a position above 0.
Temperature inside the appliance is not low enough	Incorrect setting of the adjustment knob	- reset the knob to a higher position
	The ambient temperature is higher or lower than the N-ST climate range	- the appliance is adapted to operation in the N-ST climate range.
	The appliance is located at the sunlit place or near the heat sources	- move the appliance to another place. Observe the guidelines contained in the manual
	Too much warm food loaded at a time	- wait 72 hours until the food becomes cool (freezes) and the required temperature is reached inside the chamber
	Internal air circulation hindered	- place the food and containers in such a way that they do not touch the rear wall of the fridge
	The air circulation at the back of the appliance is hindered	- move the appliance min. 30 mm away from the wall
	Too much white frost accumulated on the freezing elements	defrost the freezer chamber
	The door of the fridge/freezer are opened too often and/or remain open for too long	- reduce the frequency of opening the door and/or shorten the time when door remains open
	The door does not close completely	- place the food and containers so that they would not interfere with door closed

TROUBLE-SHOOTING

Problems	Possible causes	Remedies
	The compressor is switched on too rarely	- check whether the ambient temperature is not lower than 16°C
	Door gasket inserted incorrectly	- press the gasket in
The appliance works continuously	Incorrect setting of the adjustment knob	- reset the knob to a lower position
	See. Temperature inside the appliance is not low enough for description of other possible causes	See. Temperature inside the appliance is not low enough for description of other possible remedies
Water collects in the lower part of the appliance	The water discharge opening is clogged	- clean the discharge opening (see the operating manual – chapter entitled "Defrosting the fridge")
	Internal air circulation hindered	- place the food and containers in such a way as that they do not touch the rear wall of the fridge
The appliance generates unusual noise	Incorrect levelling of the appliance	- level the appliance properly
	The appliance touches furniture and/or other objects	- place the appliance at a location that ensures proper clearances around it

Certain sounds can be heard during normal use of the refrigerator, which do not affect its correct operation.

Sounds, which can be easily prevented:

- noise caused by the appliance which is not level - adjust the position with the adjustable turn-in front feet. Alternatively, place pads made of soft material under the rear rollers, especially when the appliance is placed on tiles.
- touching the adjacent piece of furniture - move the refrigerator away.
- creaking of the drawers or shelves - take out and put back the drawer or shelf.
- sounds of clinking bottles - move bottles apart.

Sounds heard during normal use are mainly due to operation of the thermostat, compressor (switching on) and cooling system (thermal expansion and contraction of the radiator caused by flow of the cooling agent).

Environmental protection

Ozone layer protection



The refrigerants and foaming agents, which are 100% free of FCKW and FKW have been used for manufacturing our product. Therefore we help protect the ozone layer and prevent the greenhouse effect increase. On the other hand, the innovative technology and environmentally friendly insulation help in reducing energy consumption.

Recycling of the packaging

Our packaging is made of environmentally friendly materials, which can be reused:



- The external packaging is made of cardboard/foil
- The FCKW free shape of foamed polystyrene (PS)
- Polyethylene (PE) foils and bags

Elimination / disposal of the equipment

If the appliance is no longer in use, cut the connecting conduit off the used equipment before its scrapping.



This appliance is marked with a symbol of the crossed out waste container in conformance with the European Directive **2002/96/EC**. Such marking informs that the equipment may not be kept together with other waste coming from the household after the period of its use. The user is obliged to dispose of the appliance at the waste collection point. The local waste collection points, shops and communal units form an appropriate system enabling the disposal of the equipment.

Handling the used electrical and electronic equipment properly contributes to the avoidance of consequences harmful to the human health and natural environment, resulting from the presence of hazardous substances and improper storage and processing of such equipment.

SPECIFICATION

TYPE	RIFF50501NM
Type of the appliance	fridge-freezer
Energy class ¹	A+
Annual power consumption kWh/year ²	201
Net usable volume (l)	
Total	244
Fridge	154
Freezer	90
Freezing chamber star classification ³	**/**
Storage time (hrs), at no power supply	12
Freezing capacity (kg/24h)	4,5
Climate range ⁴	N-ST
Noise level [dB(A) re1pW]	41
Supply voltage V/Hz	230V; 50 Hz
H x W x D	1773 x 540 x 540
Appliance weight (kg)	63,5

SPECIFICATION

¹⁾A++/A+ (=low consumption) to G (=high consumption).

²⁾The energy consumption refers to the yearly consumption in kWh, indicated according to DIN EN 153. Deviations may occur in the practical operation of the appliance, depending on the use and place of its location.

³⁾*= storage room of approximately. -6°C

(**) = storage room of approximately. -12°C

(***) = freezing storage room of approximately -18°C

(*/***) = freezing storage room of approximately -18°C or below

⁴⁾Climate range means that your set temperature is maintained at "normal" ambient temperature. Should the room temperature drop significantly below the defined scope, the appliance does not work so often and the undesirable temperature increase may occur.

The information about the climate range of the appliance is provided on the rated plate. It indicates at which ambient temperature (that is, room temperature, in which the appliance is working) the operation of the appliance is optimal (proper).

Climate range	Permissible ambient temperature
SN	from +10°C to +32°C
N	from +16°C to +32°C
ST	from +16°C to +38°C
T	from +16°C to +43°C

Manufacturer's declaration

The manufacturer hereby declares that the appliance fulfils the requirements of the following European directives:

- The Low Voltage Directive **2006/95/EC**,
- The Electromagnetic Compatibility Directive **2004/108/EC**,

and therefore it has been marked with a **CE** and assigned a declaration of conformity, which is made available to the market supervising authorities.

